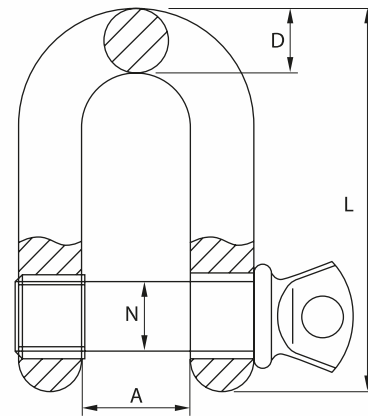




# GRILLETE RECTO PASADOR ROSCA

## ESPECIFICACIONES



| Cod.  | WLL   |      | BL<br>Ton. | Dimensiones [mm] |      |       |    | Peso<br>Kg. |
|-------|-------|------|------------|------------------|------|-------|----|-------------|
|       | Plg.  | Ton. |            | A                | D    | L     | N  |             |
| JR010 | 3/8   | 1.6  | 8          | 16.8             | 9.7  | 58.4  | 11 | 0.12        |
| JR013 | 1/2   | 3.3  | 16.5       | 20.6             | 12.7 | 77    | 16 | 0.26        |
| JR016 | 5/8   | 5    | 25         | 27               | 17.5 | 95.3  | 19 | 0.56        |
| JR020 | 3/4   | 7    | 35         | 32               | 20.6 | 116.6 | 22 | 1.19        |
| JR022 | 7/8   | 9.5  | 47.5       | 36.6             | 24.6 | 135.4 | 25 | 1.43        |
| JR025 | 1     | 12.5 | 62.5       | 43               | 27   | 152.4 | 28 | 2.15        |
| JR029 | 1-1/8 | 15   | 75         | 46               | 31.8 | 172.2 | 32 | 3.06        |
| JR032 | 1-1/4 | 18   | 90         | 51.6             | 35   | 190.5 | 35 | 4.10        |
| JR035 | 1-3/8 | 21   | 105        | 57               | 35   | 206.8 | 38 | 5.27        |
| JR038 | 1-1/2 | 30   | 150        | 60.5             | 41   | 230.1 | 42 | 7.23        |
| JR044 | 1-3/4 | 40   | 200        | 73.2             | 53.8 | 279   | 51 | 12.13       |
| JR051 | 2     | 55   | 275        | 82.5             | 61   | 324.6 | 57 | 19.19       |

Dimensiones y pesos aproximados

Preparado por:

REPRESENTANTE  
GERENCIA

Revisado por:

GERENTE  
PRODUCCIÓN Y OPERACIONES

Revisado por:

GERENTE  
GENERAL

PRODUCTO CERTIFICADO

### SANTIAGO

Av. Miraflores 9440,  
Pudahuel.  
Santiago de Chile  
+56 2 27733726  
ventas@socadin.cl

### COPIAPÓ

Panamericana Norte 811,  
Plaza Comercio Local 18  
Copiapó, Chile  
+569 99 650 600  
ventascopiapo@socadin.cl

### ANTOFAGASTA

Av. Industrial N° 7280,  
Centronor Local 11  
Antofagasta, Chile  
+569 8917 0716  
ventasantofagasta@socadin.cl

**SOCADIN®**  
GRUPO ATLAS CHILE®

www.socadin.cl

Código: ESPRO-242  
Fecha: 18/11/2020  
Versión: 05